

FleTcheR

DESIGN



PORTRAIT SEATING

Originally designed by Fletcher Vaughan for the Tokyo Designers Block Exhibition 2002. The modules can be grouped to create sculptural public seating. Suitable for high traffic environments such as malls, airports, universities, foyers, receptions and office environments.

Designer
Fletcher Vaughan
2002

Dimensions
A & B Unit
1640L x 750W x 790H

Double Ottoman
1640L x 750W 430H

Single Ottoman
820L x 750W x 430H

Table
820L x 750W x 430H

Standard Lead-time
4 / 6 weeks from order.

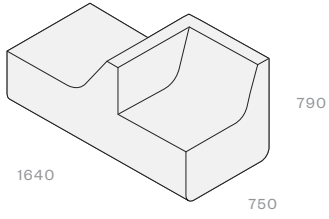
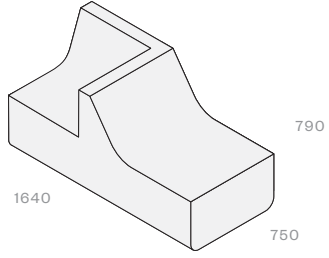
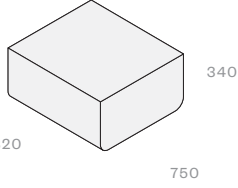
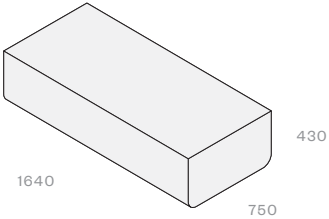
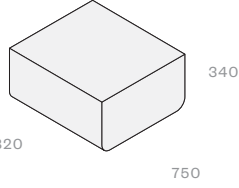
New Zealand Made.

Due to the nature of upholstery measurements may vary marginally.

Features
Table in oak veneer.
Optional soft wiring.

Approved Fabrics
Vivid / Feel / Calibre
Warwick / Augustus / Dolly
Textilia / Blazer / Synergy /
Centennial / Silk / Mainline
Flax
Kvadrat / Hallingdal 65 /
Steelcut 2 / Steelcut Trio 3
/ Divina 3

Contact
+64 9 974 3565
info@fletcher-design.nz
fletcher-design.nz

<p>A Unit 1640L x 750W x 790H</p>	<p>B Unit 1640L x 750W x 790H</p>	<p>Single Ottoman 820L x 750W 430H</p>
		
<p>Double Ottoman 1640L x 750W x 430H</p>	<p>Table 820L x 750W 430H</p>	
		
<p>© Copyright. Ownership of this design is protected by copyright and other applicable laws, and any unauthorized duplication or distribution of this design will result in prosecution.</p>		