

# FleTcheR

DESIGN



## PERCH SEATING

Bold design statement from fletcher design & offshore NZ design star, Lance McGregor. With its intriguing interplay of form and function the perch challenges accepted seating parameters, encouraging people to perch rather than sit. Consisting of two modules, one curved the other straight with a side table option.

Designer  
Lance McGregor  
2018

### Dimensions

Curved  
1420R x 420W x 660H

Curved w/Side Table  
RIGHT  
1420R x 420W x 830H

Curved w/Side Table  
LEFT  
1420R x 420W x 830H

Straight  
1700R x 420W x 660H

Straight w/Side Table  
1700R x 420W x 830H

**Standard Lead-time**  
4 / 6 weeks from order.

**New Zealand Made.**

Due to the nature of upholstery measurements may vary marginally.

### Features

Steel powder coated side table.  
Configuration locking clips.  
Optional soft wiring.

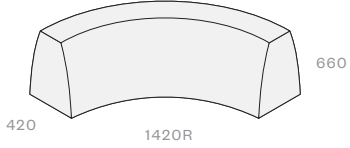
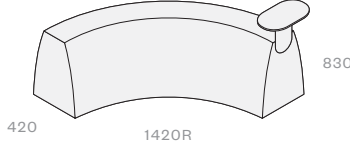
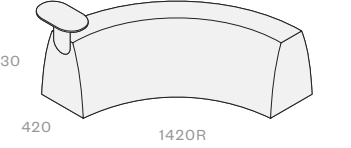
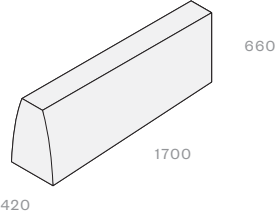
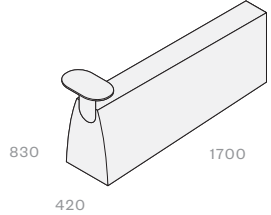
### Approved Fabrics

Vivid / Feel / Calibre  
Warwick / Augustus / Dolly  
Textilia / Blazer / Synergy /  
Centennial / Silk /  
Mainline Flax  
Kvadrat / Hallingdal 65 /  
Steelcut 2 / Steelcut Trio 3  
/ Divina 3  
Maharam / Micro

Fabric with a linear pattern is not suitable for this design.

### Contact

+64 9 974 3565  
info@fletcher-design.nz  
fletcher-design.nz

<p>Curved 1420R x 420W x 660H</p>	<p>Curved w/Side Table RIGHT 1420R x 420W x 830H</p>	<p>Curved w/Side Table LEFT 1420R x 420W x 830H</p>
		
<p>Straight 1700R x 420W x 660H</p>	<p>Straight w/Side Table 1700R x 420W x 830H</p>	
		

© Copyright. Ownership of this design is protected by copyright and other applicable laws, and any unauthorized duplication or distribution of this design will result in prosecution.